

Model JKM-5A

Indoor Current Transformer, Wound-type
15,000 V, BIL 110 kV, 5 A to 800 A, 50/60 Hz



When choosing your GE Instrument Transformer, don't forget to explore the benefits of using GE's 0.15 accuracy class AccuBute line.

Application

Designed for indoor service; suitable for operating meters, relays, and control devices. The JKM-5A features 0.15 accuracy from 5% of nameplate Amps through Rating Factor Amps when applied within its burden capability.

Reference Drawings

Reference Drawings
Accuracy Curve9932600136
Group 8 only.....9932600154
Excitation Curve 9932600138
Group 8 only.....9932600155
Outline Drawing, Single-Secondary
..... 9935470
Wiring Diagram .. refer to page 42, figure 4



JKM-5A Current Transformer, Single-Secondary

Weight - Shipping/Net

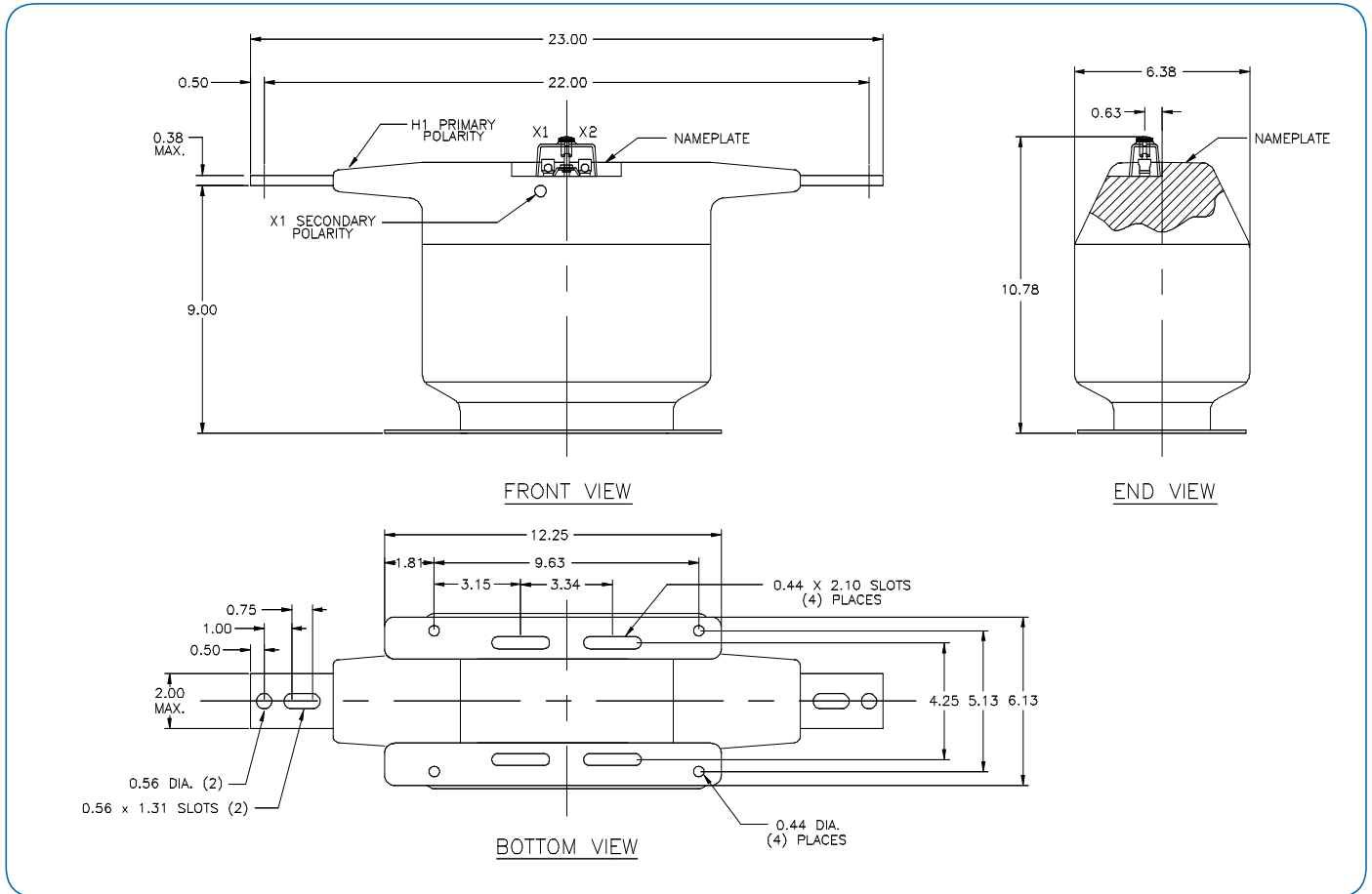
(approximate, in pounds)
Transformer 53/47

JKM-5A Product Data

Current Ratio (Amps) Pri : Sec	ANSI Accuracy Class, 60 Hz		Relay Class	Continuous Thermal Current Rating Factor 30 °C/55 °C Ambient	Mechanical Limit, Amperes	1-Sec. Thermal Limit, Amperes	Catalog Number
	ANSI Meter Class Burden						
	B0.1 to B0.5	B0.1 to 1.8					
Single-Secondary							
5:5	0.15	0.3	T200	1.5/1.0	625	465	755X045001
10:5	0.15	0.3	T200	1.5/1.0	1,250	930	755X045002
15:5	0.15	0.3	T200	1.5/1.0	1,875	1,470	755X045003
20:5	0.15	0.3	T200	1.5/1.0	2,500	1,860	755X045004
25:5	0.15	0.3	T200	1.5/1.0	3,125	2,300	755X045005
30:5	0.15	0.3	T200	1.5/1.0	3,750	2,460	755X045006
40:5	0.15	0.3	T200	1.5/1.0	5,000	3,720	755X045007
50:5	0.15	0.3	T200	1.5/1.0	6,250	4,600	755X045008
75:5	0.15	0.3	T200	1.5/1.0	9,375	6,375	755X045009
100:5	0.15	0.3	T200	1.5/1.0	12,500	8,600	755X045010
150:5	0.15	0.3	T200	1.5/1.0	18,750	12,750	755X045011
200:5	0.15	0.3	T200	1.5/1.0	25,000	17,200	755X045012
300:5	0.15	0.3	T200	1.5/1.0	37,500	25,800	755X045014
400:5	0.15	0.3	T200	1.5/1.0	50,000	36,000	755X045015
600:5	0.15	0.3	T200	1.5/1.0	75,000	51,600	755X045017



JKM-5A Dimensions



Construction and Insulation

Please refer to General Product Information, items 1.2 and 1.8.

Core

Please refer to General Product Information, item 2.4.

Primary and Secondary Coils

Please refer to General Product Information, item 3.3.

Primary Terminals

Please refer to General Product Information, item 4.3.

Secondary Terminals

Please refer to General Product Information, item 4.13.

Polarity

Please refer to General Product Information, item 7.2.

Baseplate and Mounting

Please refer to General Product Information, item 5.5.

Nameplate

Please refer to General Product Information, item 6.3.

Maintenance

Please refer to General Product Information, item 10.1 and pages 24-27.

GEGridSolutions.com

Grid-AIS-L4-ITL_Model_JKM_5A-1463-2017_07-EN. © Copyright 2017. General Electric Company and Instrument Transformers LLC reserve the right to change specifications of described products at any time without notice and without obligation to notify any person of such changes.

Worldwide Contact Center

Web: www.GEGridSolutions.com/contact

Phone: +44 (0) 1785 250 070

USA and Canada: +1 (0) 800 547 8629

Europe, Middle East and Africa: +34 (0) 94 485 88 00

