

Model JKM-4

Indoor Current Transformer
8.7 kV, BIL 5 kV, 10 A to 800 A, 50/60 Hz



When choosing your GE Instrument Transformer, don't forget to explore the benefits of using GE's 0.15 accuracy class AccuBute line.



JKM-4 Current Transformer, with factory-assembled auxiliary mounting feet

Application

Designed for indoor service; suitable for operating meters, relays, and control devices.

ANSI Meter

Accuracy Classification, 60 Hz

Meter Class Burden

B-0.1 thru B2.0 all models0.3

ANSI Relay

Accuracy Classification

Relay ClassT100

Weight - Shipping/Net

(approximate, in pounds)

Transformer 35/30 lbs

Auxiliary Mounting Plate 4/3 lbs

Reference Drawings

Accuracy Angle Curve 9689241518

Excitation Curves:

Groups 2-17 and 20-35 9689241789

Group 18 and 36 9689241812

Outline Drawing for All Models 8949737

Wiring Diagramrefer to page 41, figure 3

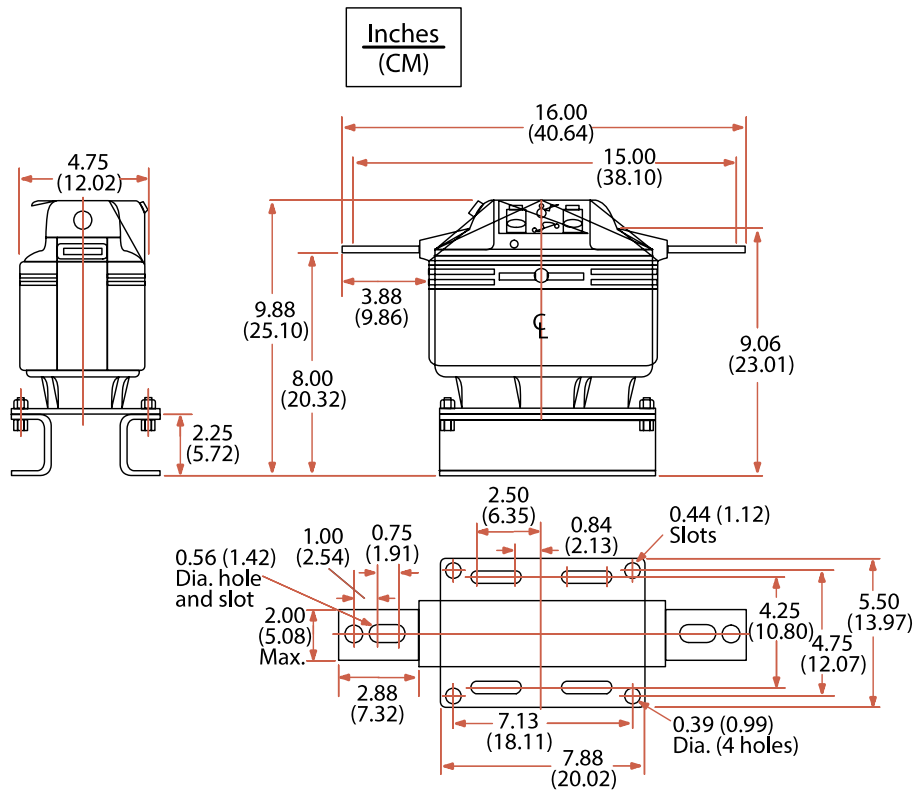
JKM-4 Product Data

Current Ratio in Amperes; Pri:Sec	Continuous- Thermal- Current Rating Factor 30 °C Ambient	Mechanical Limit, Amperes	1-Sec. Thermal Limit, Amperes	Catalog Number ¹	
				Transformer Only	With Auxiliary Mounting Plate
10:5	1.5	1,100	930	754X040002	754X040020
15:5	1.5	1,650	1,470	754X040003	754X040021
20:5	1.5	2,200	1,850	754X040004	754X040022
25:5	1.5	2,750	2,300	754X040005	754X040023
30:5	1.5	3,300	2,450	754X040006	754X040024
40:5	1.5	4,400	3,700	754X040007	754X040025
50:5	1.5	5,500	4,600	754X040008	754X040026
75:5	1.5	8,250	6,400	754X040009	754X040027
100:5	1.5	11,000	8,600	754X040010	754X040028
150:5	1.5	16,500	12,800	754X040011	754X040029
200:5	1.5	22,000	17,300	754X040012	754X040030
300:5	1.5	33,000	25,700	754X040014	754X040032
400:5	1.5	44,000	36,000	754X040015	754X040033
600:5	1.5	66,000	51,500	754X040017	754X040035
800:5	1.33	88,000	63,300	754X040018	754X040036

1. Measurement Canada Approved: AE-0415



JKM-4 Dimensions



Construction and Insulation

Please refer to General Product Information, items 1.2 and 1.8.

Core

Please refer to General Product Information, item 2.4.

Primary and Secondary Coils

Please refer to General Product Information, item 3.3.

Primary Terminals

Please refer to General Product Information, item 4.3.

Secondary Terminals

Please refer to General Product Information, item 4.13.

Polarity

Please refer to General Product Information, item 7.2.

Baseplate and Mounting

Please refer to General Product Information, item 5.5.

Auxiliary Mounting Plate

An auxiliary mounting plate is available to increase the height of the transformer. This brings the distance from the primary terminals to the mounting surface in line with recommended industry standards for 8,700 Volt metering current transformers. The auxiliary mounting plate is made of steel with a black paint finish to match the transformer.

Nameplate

Please refer to General Product Information, item 6.3.

Maintenance

Please refer to General Product Information, item 10.1 and pages 24-27.

GEGridSolutions.com

ITI-Model-JKM-4-Spec-EN-2017-11-Grid-AIS-1461. © Copyright 2017. General Electric Company and Instrument Transformers LLC reserve the right to change specifications of described products at any time without notice and without obligation to notify any person of such changes.

Worldwide Contact Center

Web: www.GEGridSolutions.com/contact

Phone: +44 (0) 1785 250 070

USA and Canada: +1 (0) 800 547 8629

Europe, Middle East and Africa: +34 (0) 94 485 88 00

