

# Model JVW-5AC-1

**Outdoor Voltage Transformer - High Accuracy**  
**110 kV BIL, 15 kV NSV**

## Application

Designed for indoor service; suitable for operating meters, instruments, relays, and control devices.

## Insulation Level

15.5 kV Maximum System Voltage;  
110 kV BIL per IEEE C57.13

## Thermal Rating

1,500 VA @ 30 °C Ambient

## Frequency

60 Hz

## Dimensions/Weight

Height: 16.34"

Depth: 13.60"

Width: 11.50"

Weight

(Approximate).....80 lbs



## General Information

The JVW-5AC-1 is manufactured in GE's Clearwater, FL. plant utilizing state of the art Automated Pressure Gelation (APG) processes and Hydrophobic Cycloaliphatic Epoxy (HCEP) for the entire line of outdoor voltage transformers. Insulation levels meet or exceed those specified in IEEE C57.13 and CSA CAN3-C13.

Dimensions meet IEEE C12.11. Every model has been thoroughly design tested to withstand repeated thermal shock and a modified salt fog test per IEEE standard 4. Superior designs, HCEP epoxy, and APG processes are combined to create a superior product. Benefits of HCEP over CEP include lower leakage currents, lower flashover probability, less discharge activity, less erosion from ultra violet (UV) radiation, enhanced thermal cycle resistance, and ultimately better reliability and improved life expectancy.

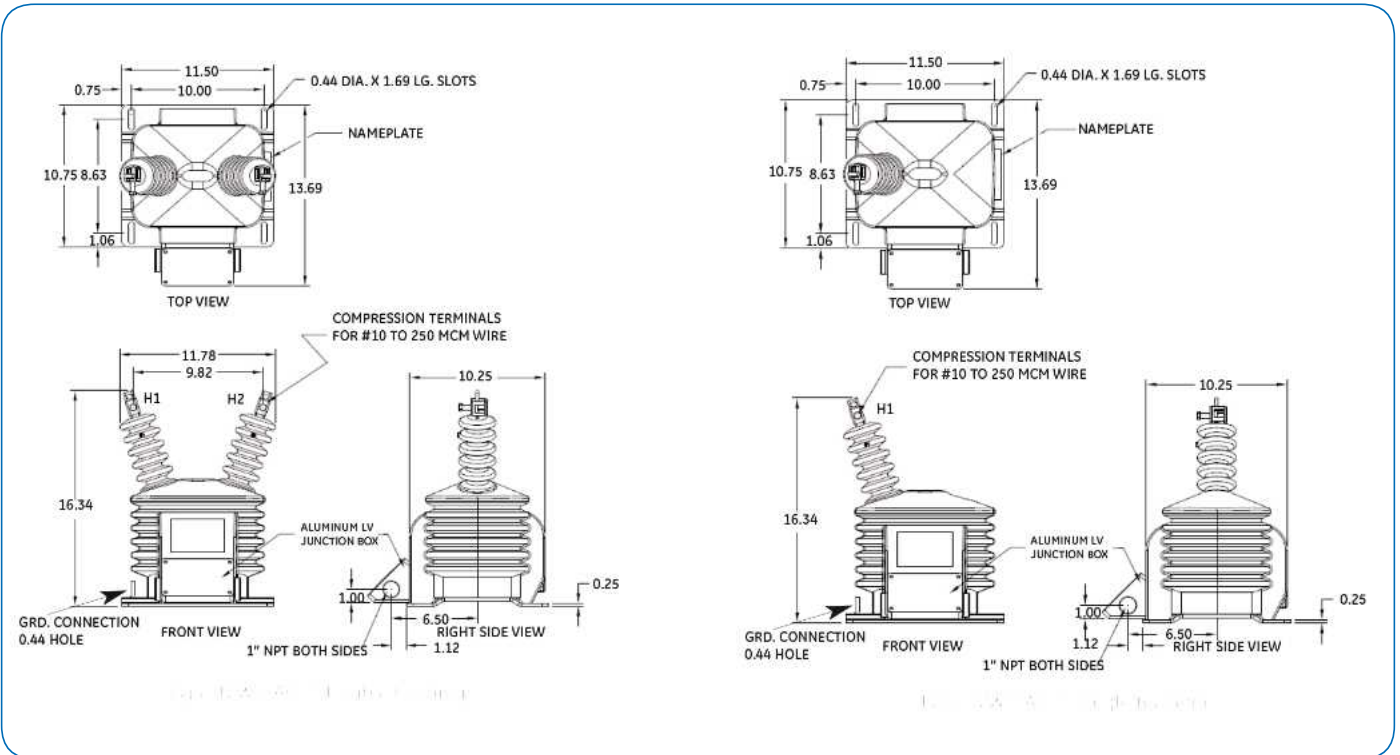
## JVW-5AC

Rated Primary Voltage	Ratio	IEEE Metering Accuracy	Rated Voltage Factor	Thermal Rating (VA @ 30 °C. amb)	Catalog Number
<b>Single Bushing</b>					
7,200/12,470GY	60:1	0.15 W,X,M,Y	1.1	1,500	765C132101
7,620/13,200GY	63.5:1	0.15 W,X,M,Y	1.1	1,500	765C132102
8,400/14,560GY	70:1	0.15 W,X,M,Y	1.1	1,500	765C132103
12,000/12,000Y	100:1	0.15 W,X,M,Y	1.1	1,500	765C132104
13,200/13,200Y	110:1	0.15 W,X,M,Y	1.1	1,500	765C132105
14,400/14,400Y	120:1	0.15 W,X,M,Y	1.1	1,500	765C132106
<b>Double Bushing</b>					
7,200/12,470GY	60:1	0.15 W,X,M,Y	1.1	1,500	765C132201
7,620/13,200Y	63.5:1	0.15 W,X,M,Y	1.1	1,500	765C132202
8,400/14,560Y	70:1	0.15 W,X,M,Y	1.1	1,500	765C132203
12,000/12,000Y	100:1	0.15 W,X,M,Y	1.1	1,500	765C132204
13,200/13,200Y	110:1	0.15 W,X,M,Y	1.1	1,500	765C132205
14,400/14,400Y	120:1	0.15 W,X,M,Y	1.1	1,500	765C132206



## Model JVV-5AC-1 Double Bushing

## Model JVV-5AC-1 Single Bushing



### General Construction

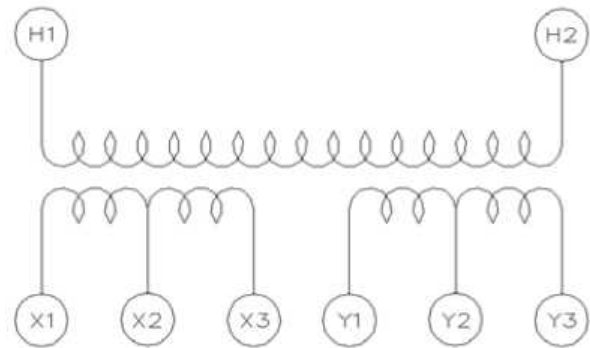
- Insulation - Hydrophobic Cycloaliphatic Epoxy (HCEP)
- Baseplate - Heavy gage marine grade aluminum
- Conduit box - Cast aluminum, removable, 1" threaded hubs
- Nameplate - Anodized aluminum
- Mounting - Horizontal, Vertical, Inverted

### HCEP Resin Features

- Ideal for outdoor applications
- Excellent water repellent characteristics
- High mechanical properties
- Excellent dielectric properties - stable in outdoor humid conditions
- Enhanced thermal cycle resistance
- High resistance to erosion from ultra violet (UV) radiation
- High tracking and arc resistance
- Extended service life

### Connection Diagram

Available in multiple configurations up to and including: Double ratio with tap on the secondary winding.



### GEGridSolutions.com

ITI-Model-JVV-5AC-Spec-EN-2018-01-Grid-AIS-1521. © Copyright 2018. General Electric Company and Instrument Transformers LLC reserve the right to change specifications of described products at any time without notice and without obligation to notify any person of such changes.

### Worldwide Contact Center

Web: [www.GEGridSolutions.com/contact](http://www.GEGridSolutions.com/contact)

Phone: +44 (0) 1785 250 070

USA and Canada: +1 (0) 800 547 8629

Europe, Middle East and Africa: +34 (0) 94 485 88 00

