

Series 95 ITI™

LED Lighted Switches

Key Benefits

- The same heavy duty rotary switches for the demanding requirements of industrial control and power applications
- Provides instant local (visual) and remote SCADA annunciation of breaker trip coil failure
- Saves panel space by having indicating lights directly on the switch
- Reduces installation time and cost

Features

- Available on all Series 95 selector switches
- 125 VDC includes 48 V-125 V ranges
- AC units available
- One, two, or three LEDs available – replaceable from the front of the panel
- UL and cUL recognized - UL File E101598

Order Information

To order a Series 95 Breaker Control switch with a lighted LED escutcheon plate simply add desired colored LEDs (up to three) followed by the required voltage ratings to an existing Series 95 part number.

A - Amber	24 VDC	24
B - Blue	48-125 VDC	48
G - Green	120 V AC, 50/60 Hz	120
R - Red	240 V AC, 50/60 Hz, 250 VDC	240
W- White		

Example: 952438D-GAR24 is a 3- LED lighted escutcheon plate with green on the left, amber in the middle, and red on the right. Please consult the factory for special configurations.

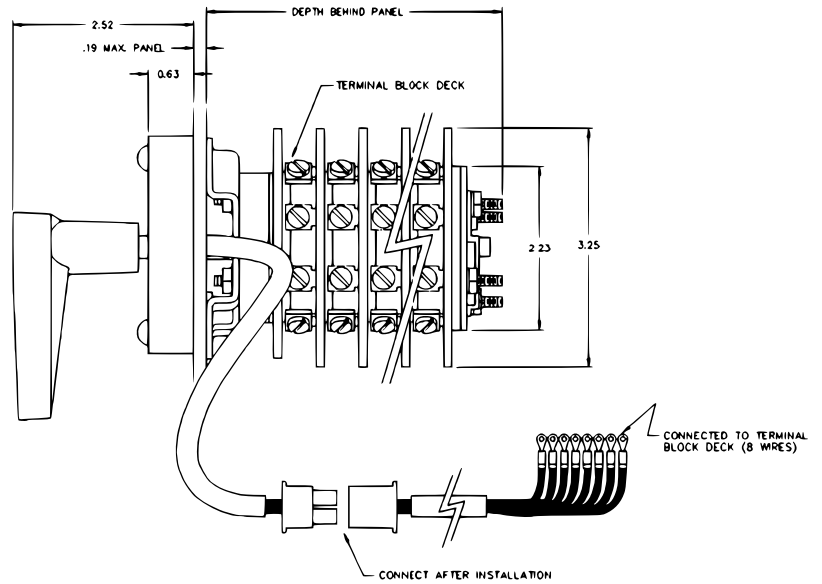
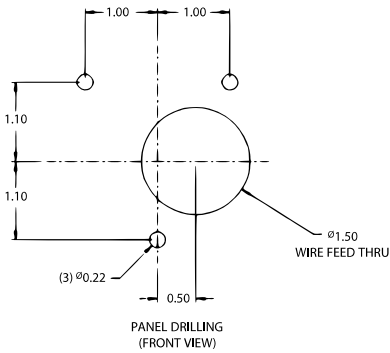
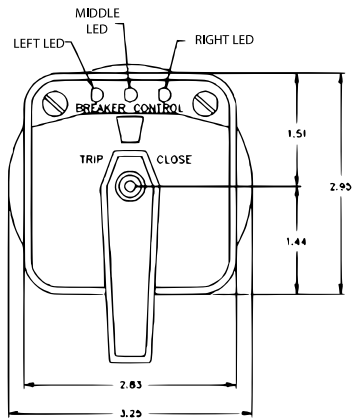
Operation

Connect per typical wiring diagram next page. There will be 1, 2, or 3 LED's depending on the options ordered.

Each LED circuit is independent of one another. Voltage applied to the appropriate terminals will turn on the associated LED. When the breaker trip coil monitor circuit is connected to TB4-TB5 (3-LED version only), the internal normally closed solid state SCADA output contact at TB1-TB8 opens and the middle LED is turned "ON". Should control voltage no longer be available at terminals TB4-TB5 the SCADA output contact at TB1-TB8 will close and provide remote indication of breaker trip coil circuit failure. At the same time the middle LED will be turned "OFF" providing local indication of trip coil circuit failure.

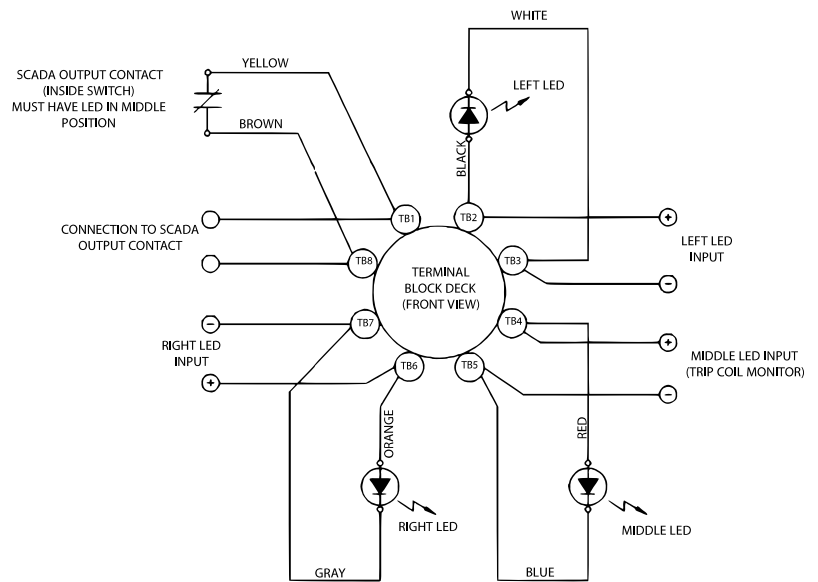


Series 95 ITI™ LED Lighted Switches



Series 95 ITI™ - Table A

Depth Behind Panel	
Number of Decks	Depth Inches (D)
1	2.70
2	3.20
3	3.70
4	4.20
5	5.20
6	5.65
7	6.20
8	6.91
9	7.54
10	8.17



TYPICAL WIRING DIAGRAM

GEGridSolutions.com

Grid-AIS-L4-ITI_Model_Series_95-1119-2017_08-EN. © Copyright 2017. General Electric Company and Instrument Transformers LLC reserve the right to change specifications of described products at any time without notice and without obligation to notify any person of such changes.

Worldwide Contact Center

Web: www.GEGridSolutions.com/contact

Phone: +44 (0) 1785 250 070

USA and Canada: +1 (0) 800 547 8629

Europe, Middle East and Africa: +34 (0) 94 485 88 00

