



# S2DA

## Center Break Disconnect Switch From 72.5 kV to 362 kV

### The Real Performer in Harsh Conditions

GE's disconnectors are the result of over 75 years of experience in developing high voltage switches that have proven their reliability in the scorching climates of Arizona (USA), Australia and Sudan, in the extremely cold territories of Canada, Russia and Sweden, in the tropical weather of Panama, Indonesia, Malaysia and Venezuela and in regions with intense seismic activity such as Chile and California (USA).

The S2DA disconnecter is one of the most commonly used types in the world thanks to its simple, efficient design. It is a rugged performer even in the most adverse operating conditions.

### Performance

The S2DA is reliable in high winds and heavy ice and always stable in the closed position during short circuits. A galvanized structural steel channel base supports the insulators and the live parts assuring a high strength, rigid design. The two insulator stacks rotate on weather-sealed, greaseless, maintenance-free rotor bearings, and the blades are made of extra heavy extruded aluminum with replaceable silver-plated copper contacts in the opening point.

Permanent contact pressure is guaranteed by the special profile design. During a short circuit, the electrodynamic attractive forces on the two "C" profiles cause the female arm to self-close on the male contact.

### Flexible Technology

The special flexible connections have been designed to guarantee low maintenance, inspection-free and long-term operation. Less contacts result in less operational problems. The hinge contacts do not need sliding or rotary contacts as the current travels a continuous path facilitated by a laminated aluminum flex that is welded and bolted to the blade and the high voltage connection.

### Customization

GE experts are pleased to propose customized solutions including parallel, in-line, diagonal, vertical, underhung and phase-over-phase solutions, bearing in mind that the phase-to-phase distance is higher than for other types of disconnect switches.

## Quality

GE prides itself on being one of the leading, global suppliers of disconnect switches in the world. The design principles, the technical know-how and experience of the GE experts and the careful selection of suppliers ensure that only top quality materials are used during production, ensure an excellent life cycle cost.

## Key Benefits

- Cost effective
- No sliding contacts
- High short circuit carrying capacity
- Low operating torque
- Built-in or retro-fitted ground switches
- Arc restrictors for line charging and transformer magnetizing currents
- Reduced maintenance
- Easy start-up and commissioning



## Certification

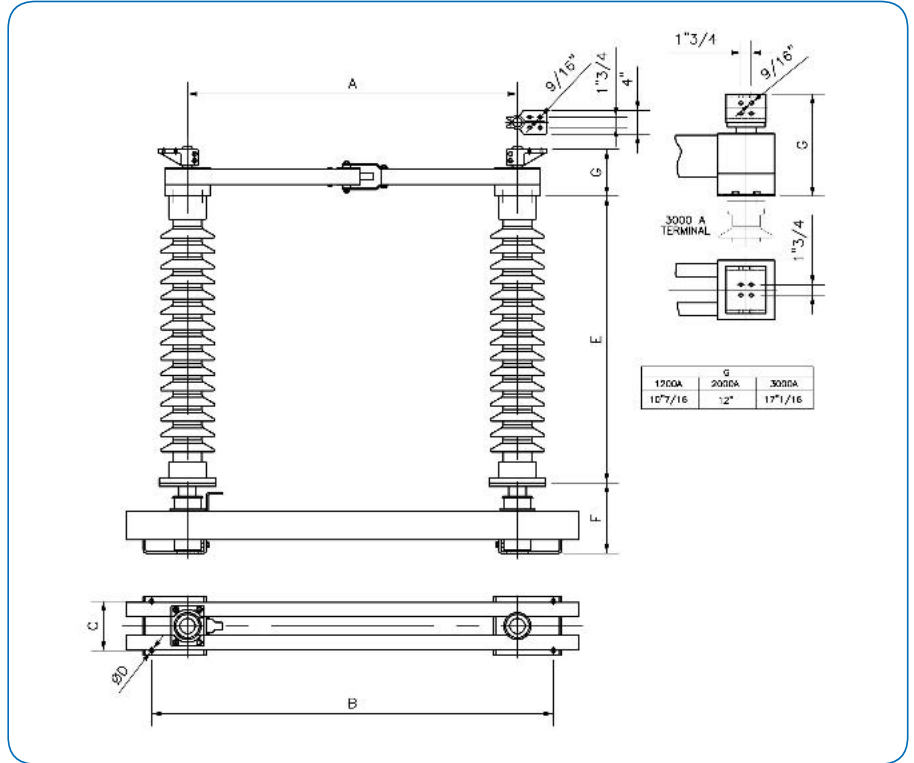
All GE disconnect switch manufacturing sites worldwide are certified according to ISO 9001, ISO 14001 and OHSAS 18001.

GE designs, manufactures, tests and delivers its disconnectors in accordance with the latest IEEE/ANSI and IEC standards, as well as GB Chinese national standards.

## Installation and Maintenance

The S2DA does not require any special tools to be adjusted and is recognized worldwide as an easy to install and adjust disconnect switch. Thanks to its self-lubricating or lifetime greased parts and corrosion free materials, the S2DA is virtually maintenance free.

## Dimensions



Customised layouts available upon request. Phase-to-phase distance defined by substation layout.

## Technical Data (IEEE/ANSI)\*

Rated voltage kV	Rated current A / Short time current kA	BIL kV	A inches	B inches	C inches	D Ø	E inches	F inches
72.5	3000 / 63	350	42"	51"	8 3/4"	11/16	30"	11" 13/16
123	3000 / 63	550	60"	72"	8 3/4"	11/16	45"	11" 13/16
145	3000 / 63	650	72"	84"	8 3/4"	11/16	54"	11" 13/16
170	3000 / 63	750	84"	96"	8 3/4"	11/16	62"	11" 13/16
245	4000 / 63	900	96"	104"	12 1/2"	11/16	80"	10" 13/16
245	4000 / 63	1050	114"	122"	12 1/2"	11/16	92"	10" 13/16
362	4000 / 63	1300	136"	148"	12 1/2"	11/16	106"	10" 13/16

\* IEC ratings also available

For more information please contact  
GE  
Grid Solutions

### Worldwide Contact Center

Web: [www.GEGridSolutions.com/contact](http://www.GEGridSolutions.com/contact)  
Phone: +44 (0) 1785 250 070

## GEGridSolutions.com

IEC is a registered trademark of Commission Electrotechnique Internationale. IEEE is a registered trademark of the Institute of Electrical Electronics Engineers, Inc.

GE and the GE monogram are trademarks of General Electric Company.

GE reserves the right to make changes to specifications of products described at any time without notice and without obligation to notify any person of such changes.

S2DA\_IEEE\_ANSI-Brochure-EN-2018-12-Grid-AIS-0063. © Copyright 2018, General Electric Company. All Rights Reserved.



Imagination at work