

# TERMINAL BLOCK

## Model IKU

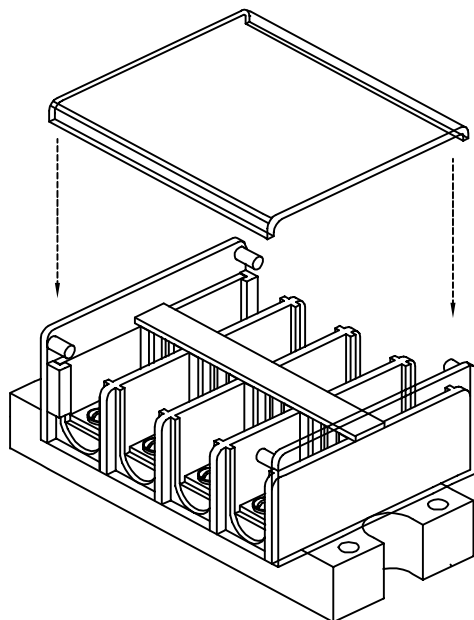
**APPLICATION:**  
Control and power wire termination.  
Short circuiting versions for meter servicing, CT tap changing, ETC..

**RATING:**  
600 VAC, 50 AMP

**WIRE RANGE:**  
18–10 AWG

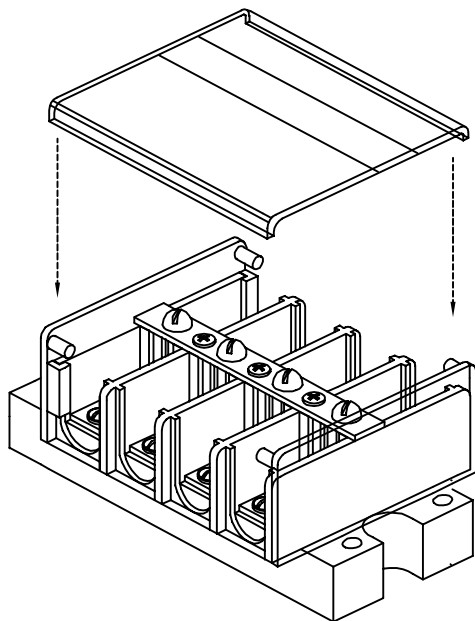
- FEATURES:**
- Rugged chip resistant heavy duty construction
  - 4,6,8 and 12 pole configurations
  - # 10–32 tin plated slotted washer head terminal screws
  - U.L. recognized 105°C thermoplastic body material
  - 4 and 6, 8 pole configurations available as shorting type with covers, 4 slotted shorting screws and screw "Parking Stations"
  - Surface mounting flat base for direct one piece terminal block replacement
  - Marking strip provided (on the cover for shorting blocks, on the base otherwise)
  - Optional clear bi-directional hinged plastic cover
  - Wide brass terminals allow lugs up to 1/2" in width
  - Wire size – copper 18–10 AWG.

REGULATORY AGENCY APPROVALS



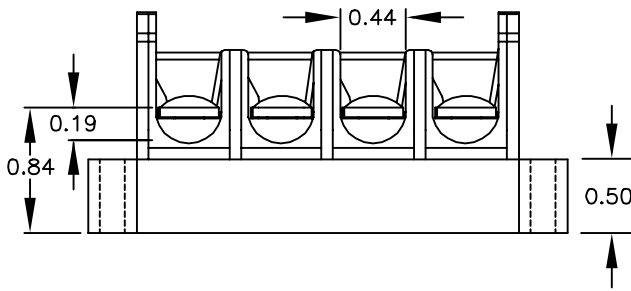
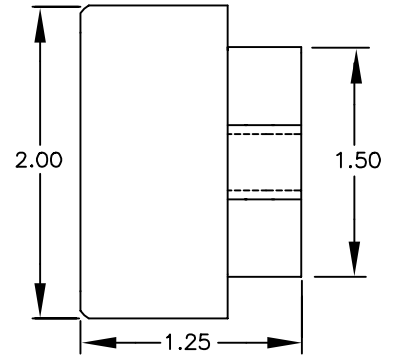
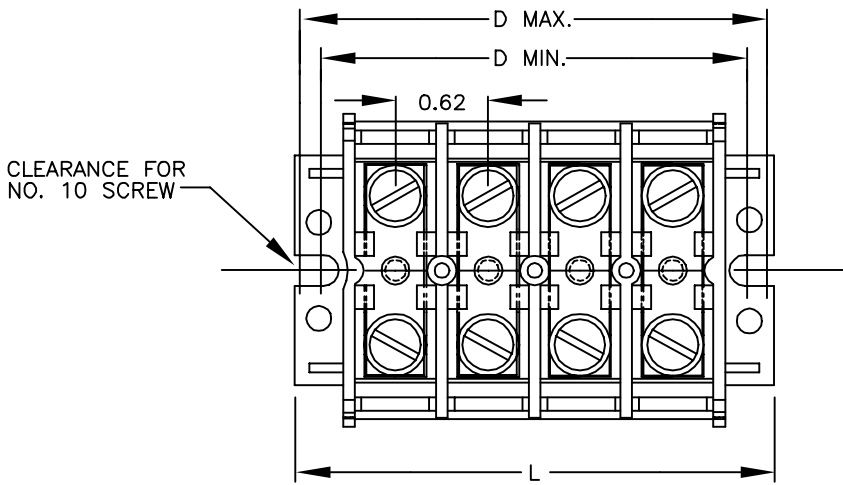
### TERMINAL BLOCKS

CATALOG NO. WITHOUT COVER	CATALOG NO. WITH COVER	# POLES
IKU4	IKU4C	4
IKU6	IKU6C	6
IKU8	IKU8C	8
IKU12	IKU12C	12



### SHORTING TYPE TERMINAL BLOCKS

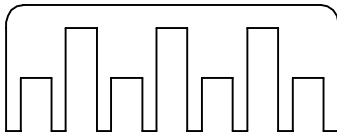
CATALOG NO. WITHOUT COVER	CATALOG NO. WITH COVERS	# POLES
IKU4S	IKU4SC	4
IKU6S	IKU6SC	6
IKU8S	IKU8SC	8



CAT.#	CKTS.	L	MOUNTING	
			D MIN.	D MAX.
IKU4	4	3.25	2.88	3.00
IKU6	6	4.50	4.12	4.25
IKU8	8	5.75	5.38	5.50
IKU12	12	8.25	7.88	8.00

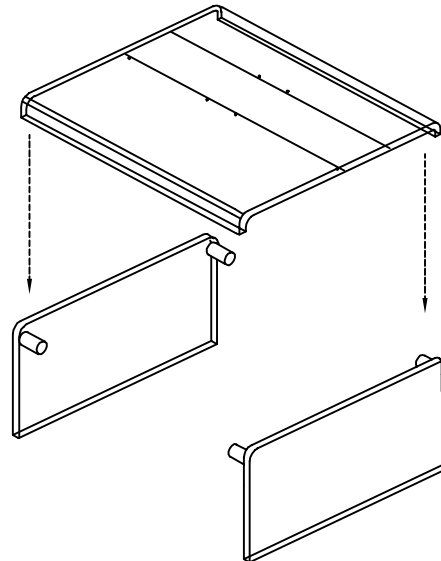
**ACCESSORIES:**

JUMPERS



CATALOG NUMBER	NUMBER OF POLES
IKUJ2	2
IKUJ3	3
IKUJ4	4
IKUJ6	6
IKUJ8	8
IKUJ10	10
IKUJ12	12

COVER KIT



CATALOG NUMBER	NUMBER OF POLES
IKUC4	4
IKUC6	6
IKUC8	8
IKUC12	12